



BNR LapVents

Robin Hill Cottage
33 Queens Road
Bournemouth
Dorset BH2 6BN

Tel: 01202 769255 Fax: 01202 769255
e-mail: mail@lapvent.co.uk
website: www.lapvent.co.uk

(47)	Xn6
------	-----

**Agrément
Certificate
No 06/4327**

Designated by Government
to issue
European Technical
Approvals

LAPVENT LOFT VENT

Système de ventilation de toiture
Dachventilationssystem

Product



• THIS CERTIFICATE RELATES TO THE LAPVENT LOFT VENT, AND IS FOR USE IN TRADITIONAL ROOF CONSTRUCTIONS WITH UNSUPPORTED MEMBRANES TO PROVIDE VENTILATION VIA THE BATTEN CAVITY.


• The product may be used in conjunction with conventional roofing components on new and existing roofs.

• The components of the vent are assembled on site and are made from durable materials.

• The product should be installed in accordance with the Certificate holder's instructions.

Regulations

1 The Building Regulations 2000 (as amended) (England and Wales)

 The Secretary of State has agreed with the British Board of Agrément the requirements of the Building Regulations to which roofing components can contribute to achieving compliance. In the opinion of the BBA, the LapVent Loft Vent, if used in accordance with the provisions of this Certificate, will meet or contribute to meeting the relevant requirements.

Requirement: C2(c)

Resistance to moisture

Comment:

The product can meet this Requirement. See sections 8.1, 8.2 and 10 of this Certificate.


Requirement: Regulation 7

Materials and workmanship

Comment:

The product is acceptable. See section 12 of this Certificate.

2 The Building (Scotland) Regulations 2004

 In the opinion of the BBA, the LapVent Loft Vent, if used in accordance with the provisions of this Certificate, will satisfy or contribute to satisfying the various Regulations and related Mandatory Standards listed below.

Regulation: 8

Fitness and durability of materials and workmanship

Regulation: 8(1)

Fitness and durability of materials and workmanship

Comment:

The product can contribute to a construction satisfying this Regulation. See section 12 and the *Installation* part of this Certificate.

Electronic Copy

Regulation:	9	Building standards — construction
Standard:	3.10	Precipitation
Comment:		The product can satisfy clauses 3.10.1 ⁽¹⁾⁽²⁾ and 3.10.7 ⁽¹⁾⁽²⁾ of this Standard. See section 10 of this Certificate.
Standard:	3.15	Condensation
Comment:		The product can contribute to a construction meeting clause 3.15.4 ⁽¹⁾ of this Standard. See sections 8.1 and 8.2 of this Certificate.
Regulation:	12	Building standards — conversions
Comment:		All comments given for this product under Regulation 9, also apply to this Regulation with reference to clause 0.12.1 ⁽¹⁾⁽²⁾ and Schedule 6 ⁽¹⁾⁽²⁾ .
		(1) Technical Handbook (Domestic).
		(2) Technical Handbook (Non-Domestic).

3 The Building Regulations (Northern Ireland) 2000



In the opinion of the BBA, the LapVent Loft Vent, if used in accordance with the provisions of this Certificate, will satisfy or contribute to satisfying the various Building Regulations listed below.

Regulation:	B2	Fitness of materials and workmanship
Comment:		The product is acceptable. See section 12 of this Certificate.
Regulation:	C4	Resistance to ground moisture and weather
Comment:		The product can satisfy the requirements of this Regulation. See section 10 of this Certificate.
Regulation:	C5	Condensation
Comment:		The product can satisfy the requirements of this Regulation. See sections 8.1 and 8.2 of this Certificate.

4 Construction (Design and Management) Regulations 1994 (as amended) Construction (Design and Management) Regulations (Northern Ireland) 1995 (as amended)

In the opinion of the BBA there is no information in this Certificate which relates to the obligations of the client, planning supervisor, designer and contractors under these Regulations.

Technical Specification

5 Description

5.1 The LapVent Loft Vent is manufactured from recycled ABS plastic using an injection moulding process. Potentially, LapVents are fully recyclable. The vent is fitted with an aluminium mesh that acts as a screen against the entry of insects and small animals into the roof, a safety flap that closes the vent to limit the load on the tiles or slates when there is a sudden change in air pressure and enables the vent to be closed off, and storm baffles to help prevent the ingress of wind-driven rain, snow and dust (see Figure 1). The product incorporates side clips that help to hold the vents in position.

5.2 The product is for use in traditional roof construction to provide roof space ventilation.

5.3 Ancillary items used with the product include:

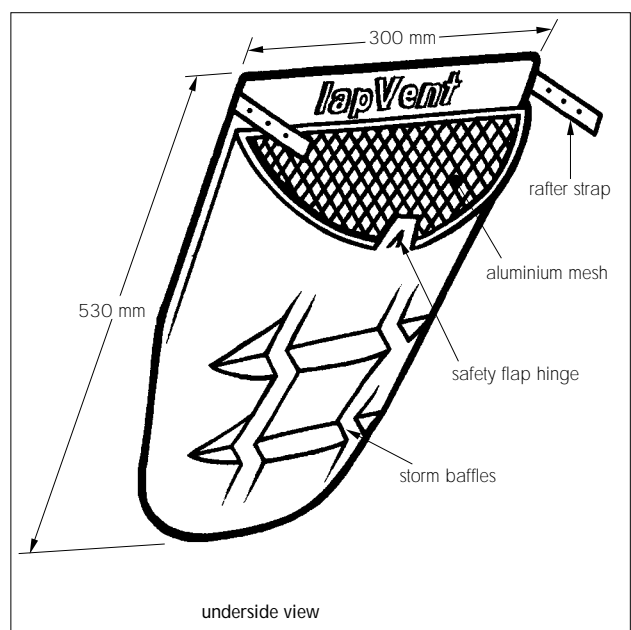
- replacement membrane — a piece of roof tile underlay used around the vent to prevent moisture ingress
- fixing batten — to secure replacement membrane to rafter.

6 Delivery and site handling

6.1 LapVent Loft Vents are packaged, complete with installation instructions.

6.2 Each package bears the manufacturer's name and the BBA identification mark incorporating the number of this Certificate.

Figure 1 LapVent Loft Vent



Design Data

7 Strength and stability

The Lapvent Loft Vent has adequate strength to resist damage during site handling or installation.

8 Ventilation efficiency

8.1 When installed according to the Certificate holder's instructions, the product will enable air transfer between the fortuitously ventilated void above the roof tile underlay and the loft space and assist in decreasing the risk of harmful condensation, and thereby contributes to meeting or satisfying the requirements of national Building Regulations thus:

England and Wales

Requirement C2(c)

Scotland

Mandatory Standard 3.15

Northern Ireland

Technical Booklet C5.

8.2 In still air conditions, convection due to temperature effects will ensure that the fortuitous airflow continues.

9 Properties in relation to fire

The introduction of the product to traditional roof constructions using clay or concrete roof tiles or slates, does not affect the normal AA rating for such constructions.

10 Weathertightness

The weathertightness of a traditionally tiled or slated roof will not be adversely affected by the introduction of the product provided an adequate lap is maintained.

11 Maintenance

Though the risk of blockage is minimal, the vents should be examined occasionally and cleaned if necessary.

12 Durability

The product is durable and should have a service life comparable to that of other roofing components.

Installation

13 General

13.1 Installation of the LapVent Loft Vent must be in accordance with the Certificate holder's instructions.

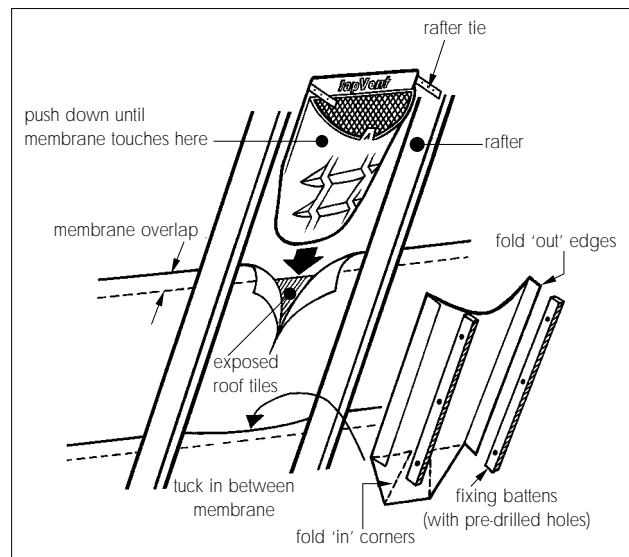
13.2 For more effective ventilation, low-level vents can be supplemented with high-level ventilation (see BRE Defect Action Sheet DAS 1 : 1985 *Slated or tiled pitched roofs : Ventilation to outside air*, NHBC Technical Newsletter No 2, January 1983 and BS 5925 : 1991 : Section 10.2).

13.3 Installation of the product can be easily achieved under normal site conditions either during roof construction or in existing roofs from inside the loft.

14 Procedure

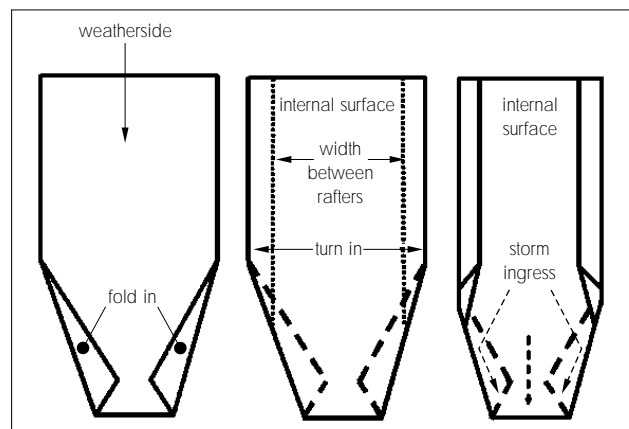
14.1 The vents are positioned between the rafters and installed by cutting the membrane vertically and sliding the vent into the lap space between the layers of roofing membrane. Once the vent has been positioned the rafter ties are secured around each rafter. A cover comprising a roofing membrane of a similar material to the existing roof covering is placed over the vent and attached to the rafters using battens (see Figure 2). Clips attach the vent to the roofing membrane to prevent it from slipping into the space between the tiles and the upper surface of the roof covering.

Figure 2 Installation



14.2 It is important that the end of the replacement cover is tucked into the overlap between the layers of roofing membrane to ensure that any water is able to drain to the outside of the roof (see Figure 3).

Figure 3 Replacement membrane



14.3 Care should be taken to ensure that the felt is not in contact with the underside of the roof tiles.

Technical Investigations

The following is a summary of the technical investigations carried out on the LapVent Loft Vent.

15 Investigations

15.1 The manufacturing process was examined, including the methods adopted for quality control, and details were obtained of the materials used.

15.2 A survey of users/specifiers was conducted to assess the performance of the product in service.

15.3 An evaluation was made of the performance of the product, contributing to ventilation in the applications described in this Certificate.

Bibliography

BS 5925 : 1991 *Code of practice for ventilation principles and designing for natural ventilation*

Conditions of Certification

16 Conditions

16.1 This Certificate:

- (a) relates only to the product that is named, described, installed, used and maintained as set out in this Certificate;
- (b) is granted only to the company, firm or person identified on the front cover — no other company, firm or person may hold or claim any entitlement to this Certificate;
- (c) is valid only within the UK;
- (d) has to be read, considered and used as a whole document — it may be misleading and will be incomplete to be selective;
- (e) is copyright of the BBA;
- (f) is subject to English law.

16.2 References in this Certificate to any Act of Parliament, Regulation made thereunder, Directive or Regulation of the European Union, Statutory Instrument, Code of Practice, British Standard,

manufacturers' instructions or similar publication, are references to such publication in the form in which it was current at the date of this Certificate.

16.3 This Certificate will remain valid for an unlimited period provided that the product and the manufacture and/or fabrication including all related and relevant processes thereof:

- (a) are maintained at or above the levels which have been assessed and found to be satisfactory by the BBA;
- (b) continue to be checked as and when deemed appropriate by the BBA under arrangements that it will determine; and
- (c) are reviewed by the BBA as and when it considers appropriate.

16.4 In granting this Certificate, the BBA is not responsible for:

- (a) the presence or absence of any patent, intellectual property or similar rights subsisting in the product or any other product;
- (b) the right of the Certificate holder to market, supply, install or maintain the product; and
- (c) the actual works in which the product is installed, used and maintained, including the nature, design, methods and workmanship of such works.

16.5 Any recommendations relating to the use or installation of this product which are contained or referred to in this Certificate are the minimum standards required to be met when the product is used. They do not purport in any way to restate the requirements of the Health & Safety at Work etc Act 1974, or of any other statutory, common law or other duty which may exist at the date of this Certificate or in the future; nor is conformity with such recommendations to be taken as satisfying the requirements of the 1974 Act or of any present or future statutory, common law or other duty of care. In granting this Certificate, the BBA does not accept responsibility to any person or body for any loss or damage, including personal injury, arising as a direct or indirect result of the installation and use of this product.



In the opinion of the British Board of Agrément, the LapVent Loft Vent is fit for its intended use provided it is installed, used and maintained as set out in this Certificate. Certificate No 06/4327 is accordingly awarded to BNR LapVents.

On behalf of the British Board of Agrément

Date of issue: 31st March 2006

A handwritten signature in black ink, appearing to read 'G A Cooper', is written over a light grey background.

Chief Executive